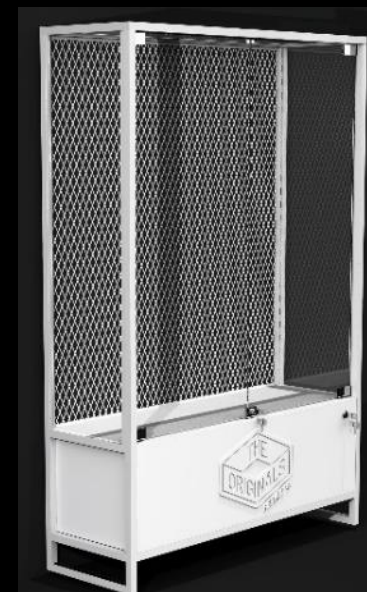




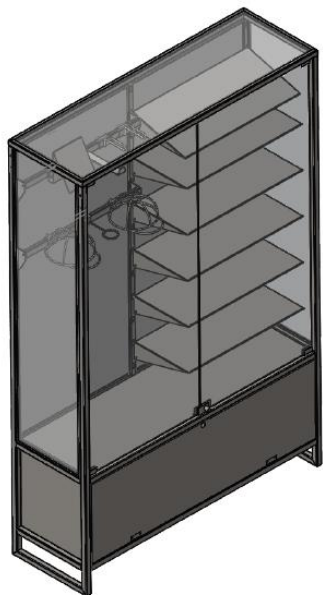
The Originals furniture

Renault retail technical specifications

September 2023 - v1b



1. The Originals merchandising furniture - 1 side



Dimension : 1180 x 380 x 1800 mm

Shipping:

- unit packaging / 1200 x 400 x 1830 mm / 95 kg
- ex factory on single 600 x 1200 mm pallet
- delivery to one central point in the country

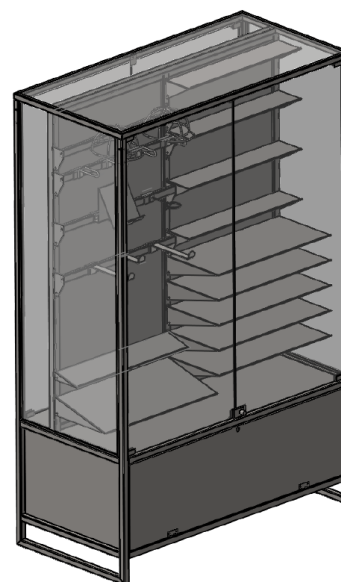
Specifications:

- 25 x 25 mm steel tube structure
- metal box with door locked by key
- expanded metal background
- white paint 9016 matt sandblasted
- 1 glued painted plexi logo « The Originals »
- 2 glass doors in front
- glass side walls
- plexi background

Accessories:

- 2 cap holders
- 2 key hooks
- 1 long flat hanger
- 1 umbrella holder ring
- 2 half load bar
- 1 inclined shelf
- 5 flat shelves
- 1 skate rate
- 4 hangers « The Originals »

2. The Originals merchandising furniture - 2 sides



Dimension : 1180 x 580 x 1800 mm

Shipping:

- unit packaging / 1200 x 600 x 1830 mm / 135kg
- ex factory on single 600 x 1200 mm pallet
- delivery to one central point in the country

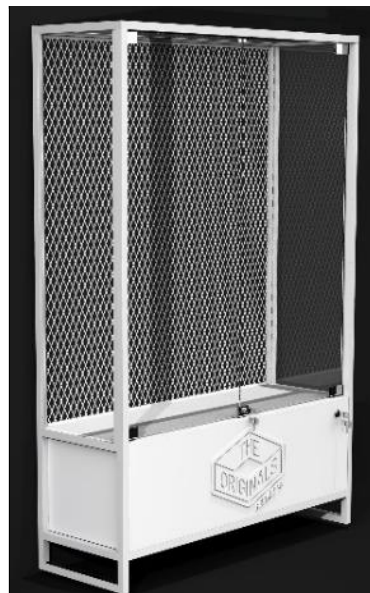
Specifications:

- 25 x 25 mm steel tube structure
- metal box with door locked by key
- expanded metal background
- white paint 9016 matt sandblasted
- 2 glued painted plexi logo
- 2 glass doors in front locked by key
- 2 glass doors in back locked by key
- glass side walls
- plexi background

Accessories:

- 2 cap holders
- 2 key hooks
- 1 long flat hanger
- 1 umbrella holder ring
- 2 half load bar
- 1 inclined shelf
- 5 flat shelves
- 1 skate rate
- 5 hangers « The Originals »
- 2 key hooks
- 2 short flat hanger
- 1 umbrella holder ring
- 1 half load bar
- 1 short inclined shelf
- 4 short flat shelves

1 ■ The Originals furniture with 1 side



Dimension : 1180 x 380 x 1800 mm

Shipping:

- unit packaging / 1200 x 400 x 1830 mm / 95 kg
- ex factory on single 600 x 1200 mm pallet
- delivery to one central point in the country

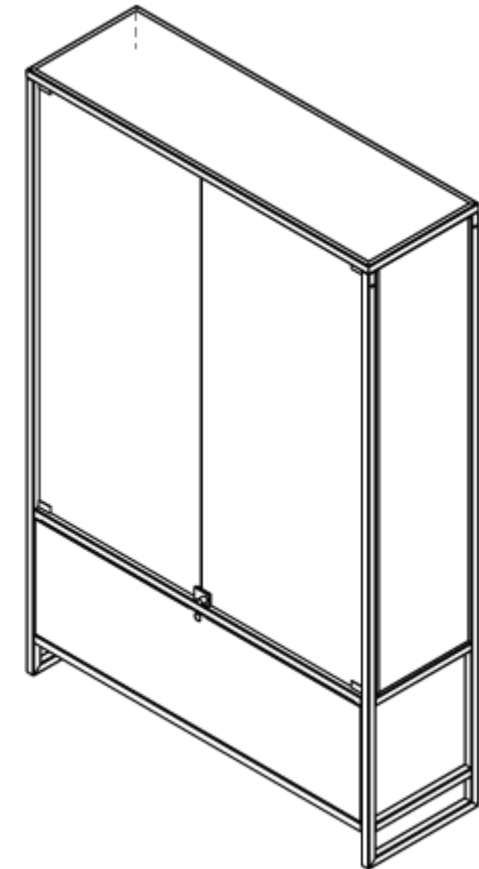
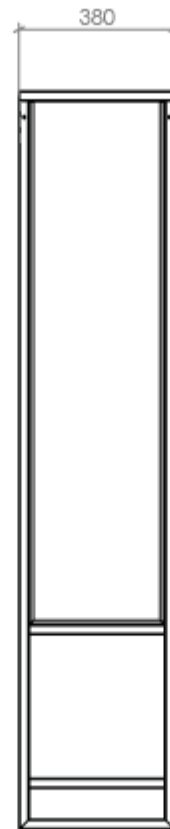
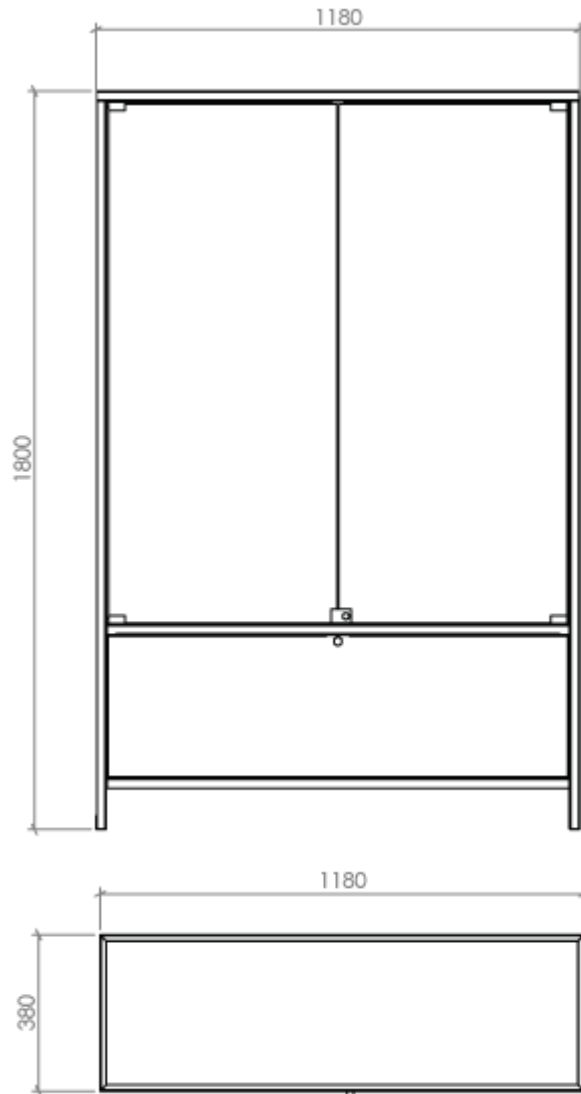
Specifications:

- 25 x 25 mm steel tube structure
- metal box with door locked by key
- expanded metal background
- white paint 9016 matt sandblasted
- 1 glued painted plexi logo « The Originals »
- 2 glass doors in front
- glass side walls
- plexi background

Accessories:

- 2 cap holders
- 2 key hooks
- 1 long flat hanger
- 1 umbrella holder ring
- 2 half load bar
- 1 inclined shelf
- 5 flat shelves
- 1 skate rate
- 4 hangers « The Originals »

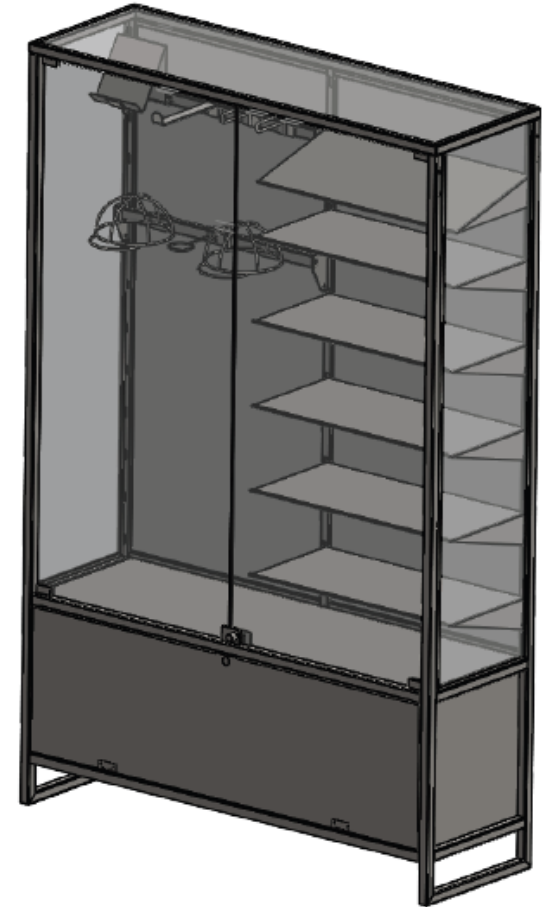
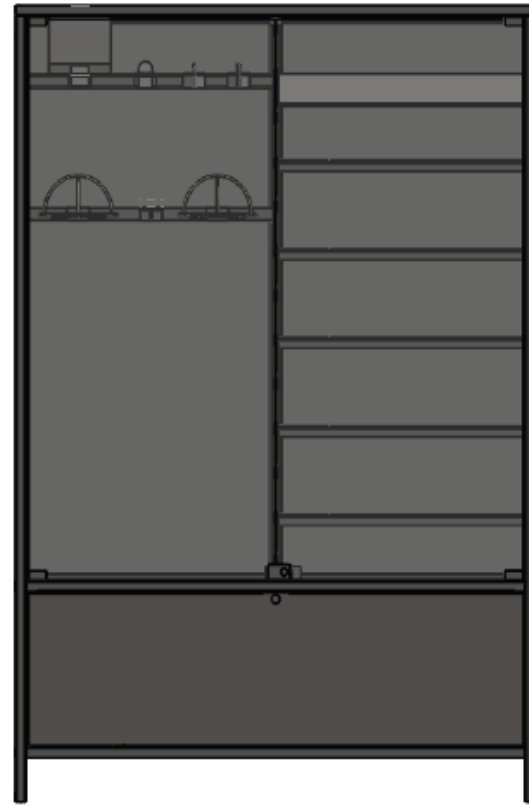
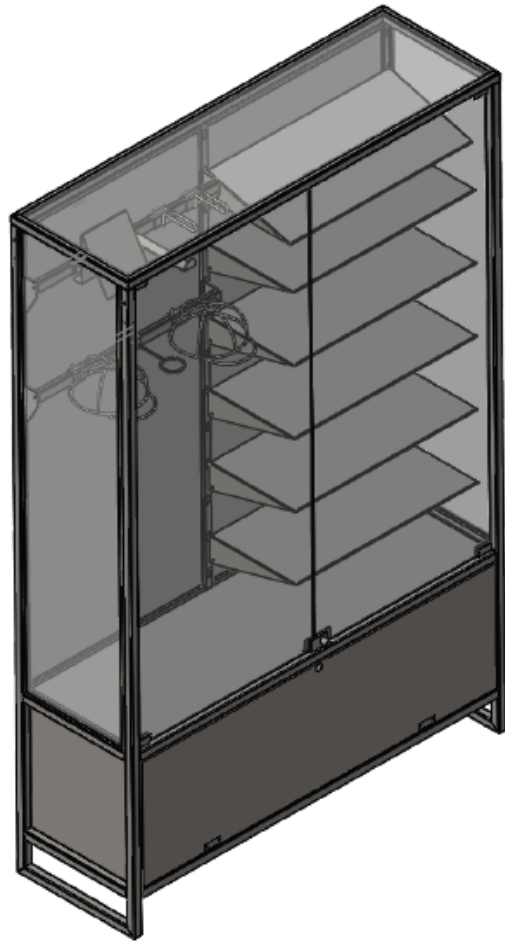
Renault retail technical specifications
merchandising furniture - dimensions & weight



weight: ~95 kg



Renault retail technical specifications
merchandising furniture - illustration with equipment



Renault retail technical specifications merchandising furniture - structure

description

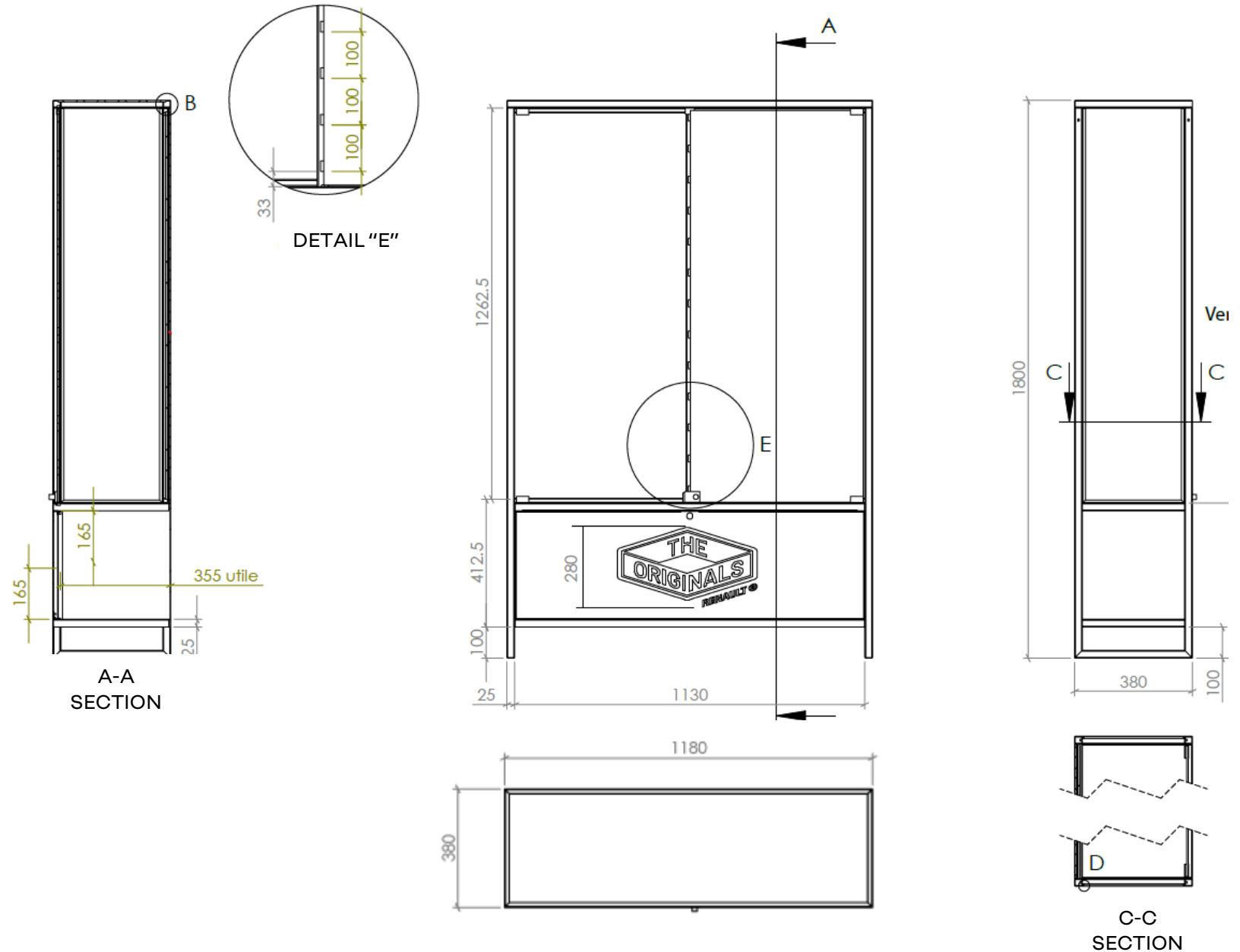
structure is in square tubular metal 25 x 25 mm

color: white RAL 9016FT

post-lacquered steel

profile or sheet with 40%

gloss satin finish



description

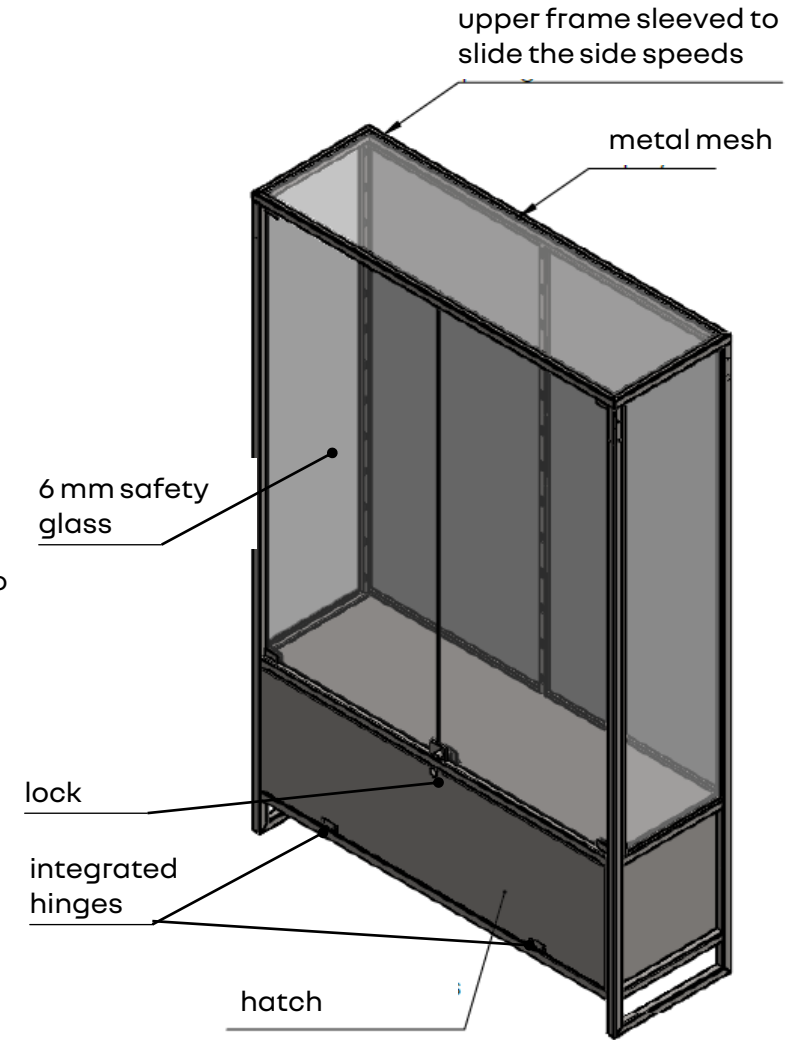
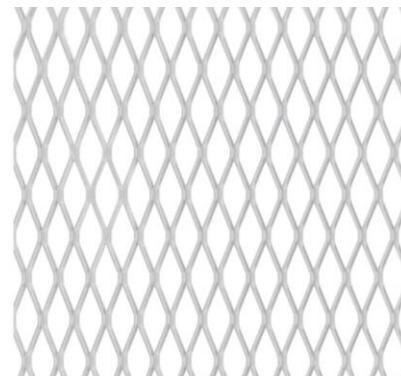
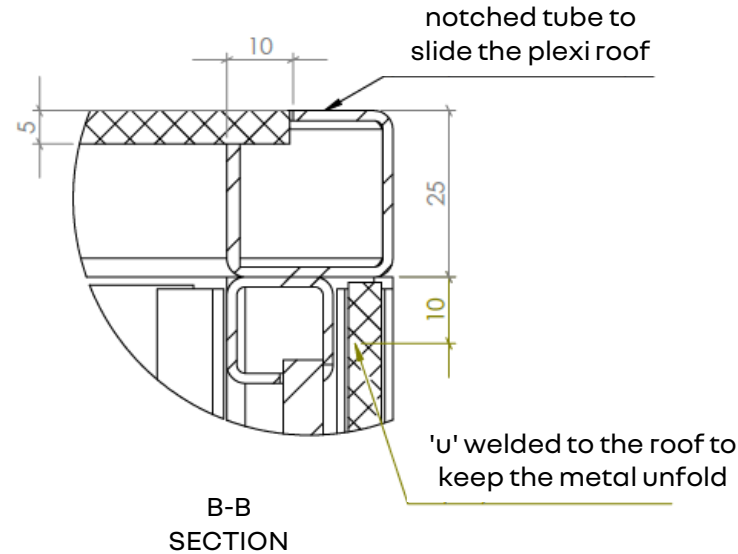
bottom of the furniture is in expended metal

expended metal is in the vertical position (like a Renault logo)

metal mesh in steel, th. 2 mm,

35 x 15mm mesh, visible thickness 5mm, front transparency 68%

color: white RAL 9016FT



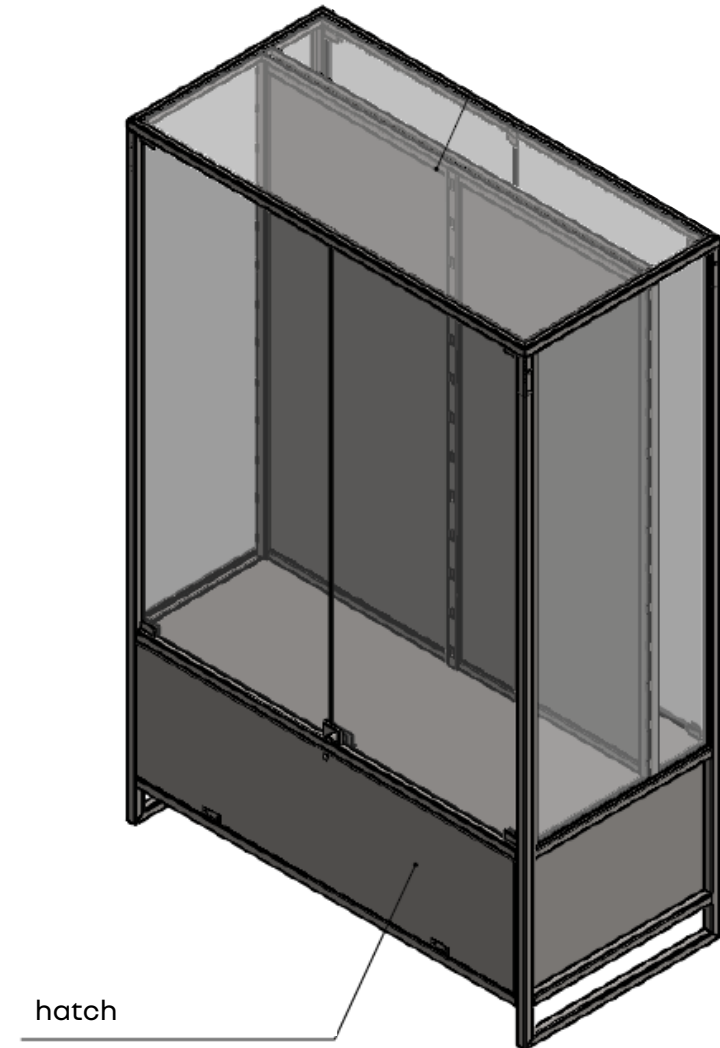
Renault retail technical specifications merchandising furniture - details for the hatch

description

the hatch must be held when opening.

the restraint system must be fixed on both sides (left and right)

door opening limiter must allow opening to 90°, it can be compass, metallic arc, flex metallic cable...



2 ■ The Originals furniture with 2 sides



Dimension : 1180 x 580 x 1800 mm

Shipping:

- unit packaging / 1200 x 600 x 1830 mm / 135kg
- ex factory on single 600 x 1200 mm pallet
- delivery to one central point in the country

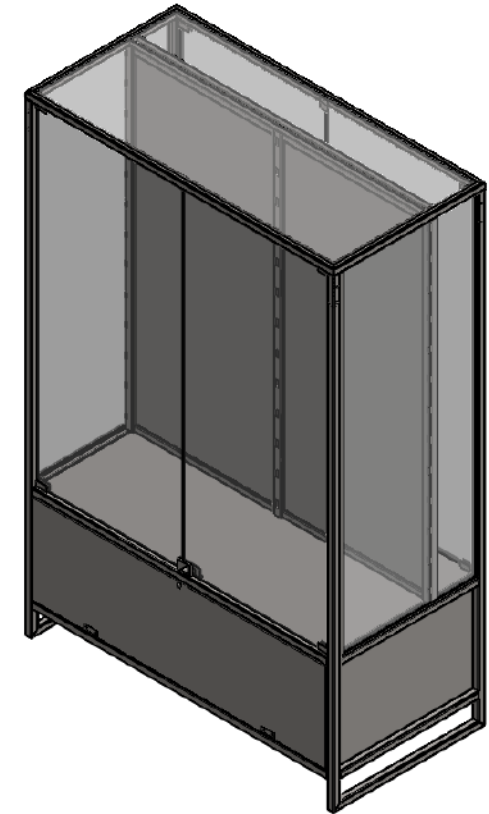
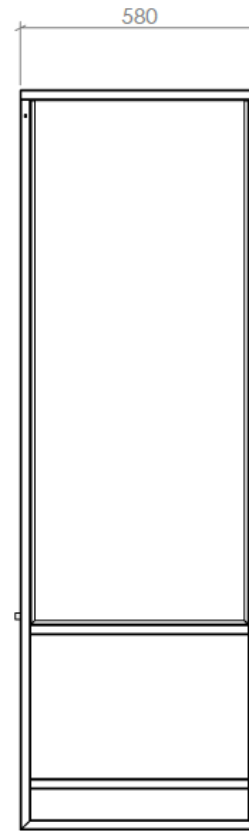
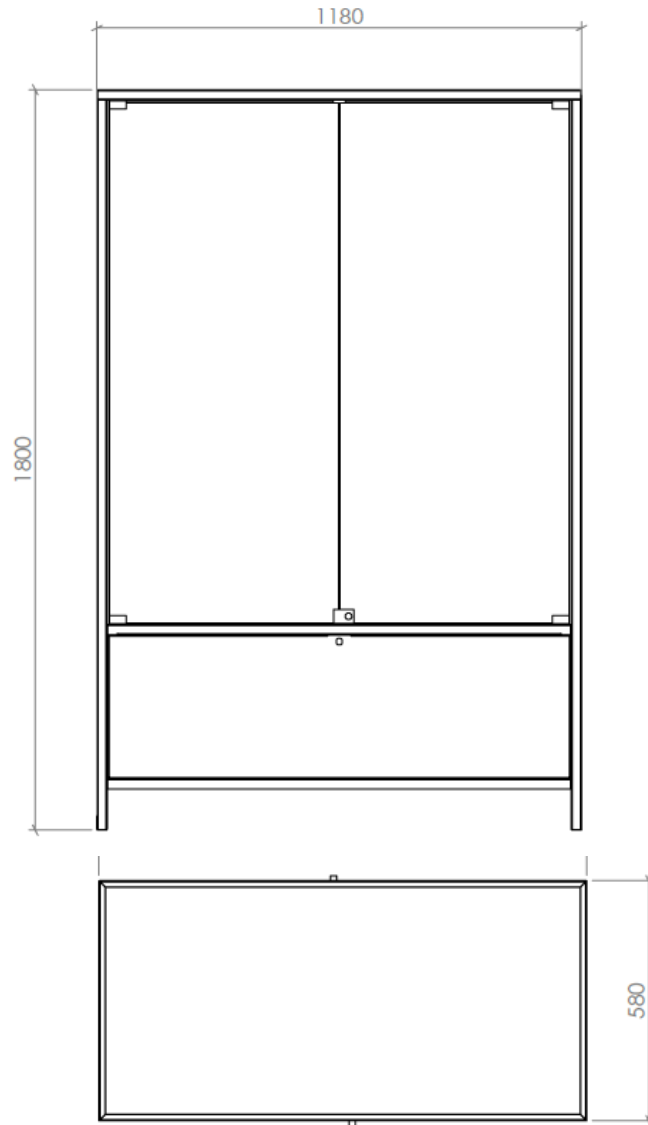
Specifications:

- 25 x 25 mm steel tube structure
- metal box with door locked by key
- expanded metal background
- white paint 9016 matt sandblasted
- 2 glued painted plexi logo
- 2 glass doors in front locked by key
- 2 glass doors in back locked by key
- glass side walls
- plexi background

Accessories:

- | | |
|-------------------------------|--------------------------|
| • 2 cap holders | • 2 key hooks |
| • 2 key hooks | • 2 short flat hanger |
| • 1 long flat hanger | • 1 umbrella holder ring |
| • 1 umbrella holder ring | • 1 half load bar |
| • 2 half load bar | • 1 short inclined shelf |
| • 1 inclined shelf | • 4 short flat shelves |
| • 5 flat shelves | |
| • 1 skate rate | |
| • 5 hangers « The Originals » | |

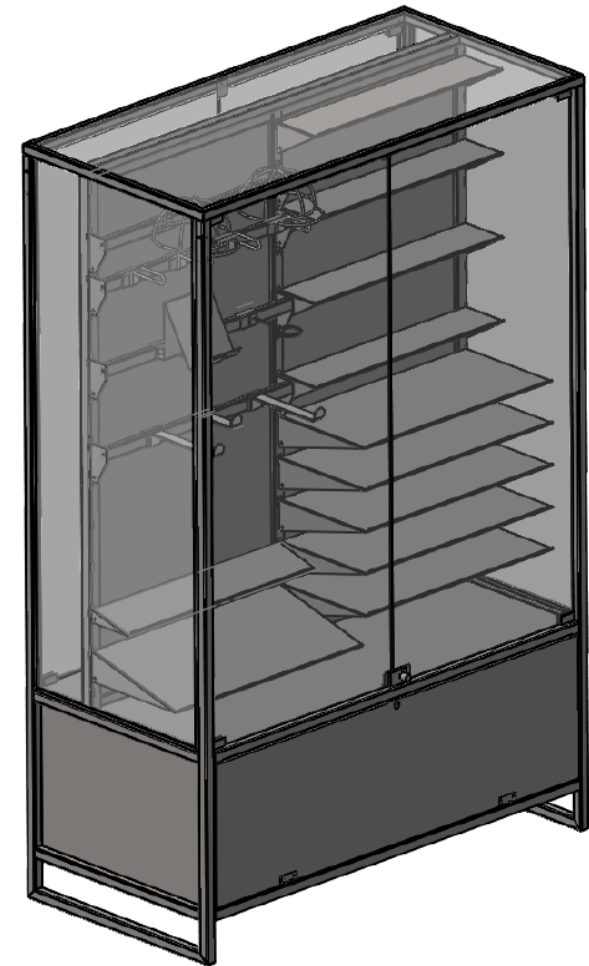
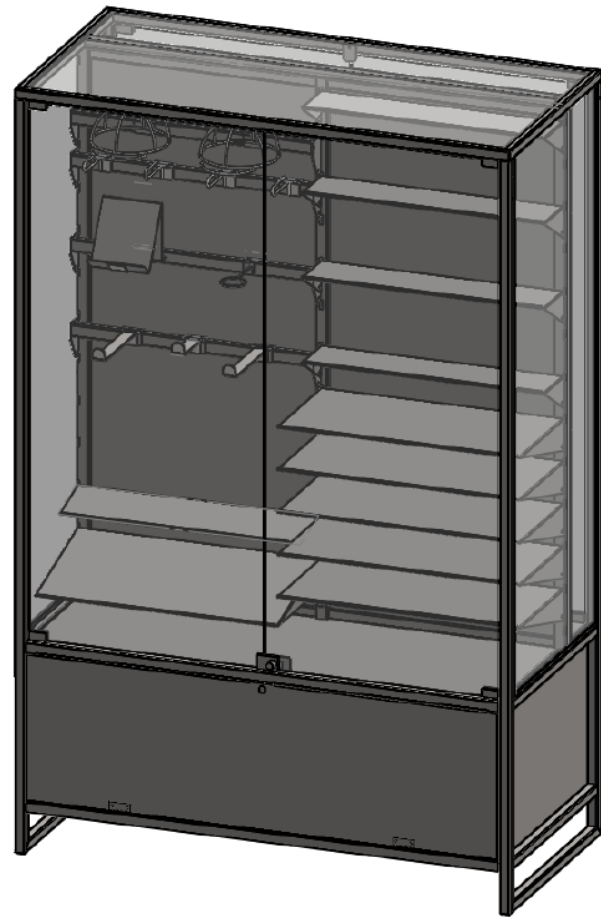
Renault retail technical specifications
merchandising furniture - dimensions & weight



weight: ~135 kg



Renault retail technical specifications
merchandising furniture - illustration with equipment

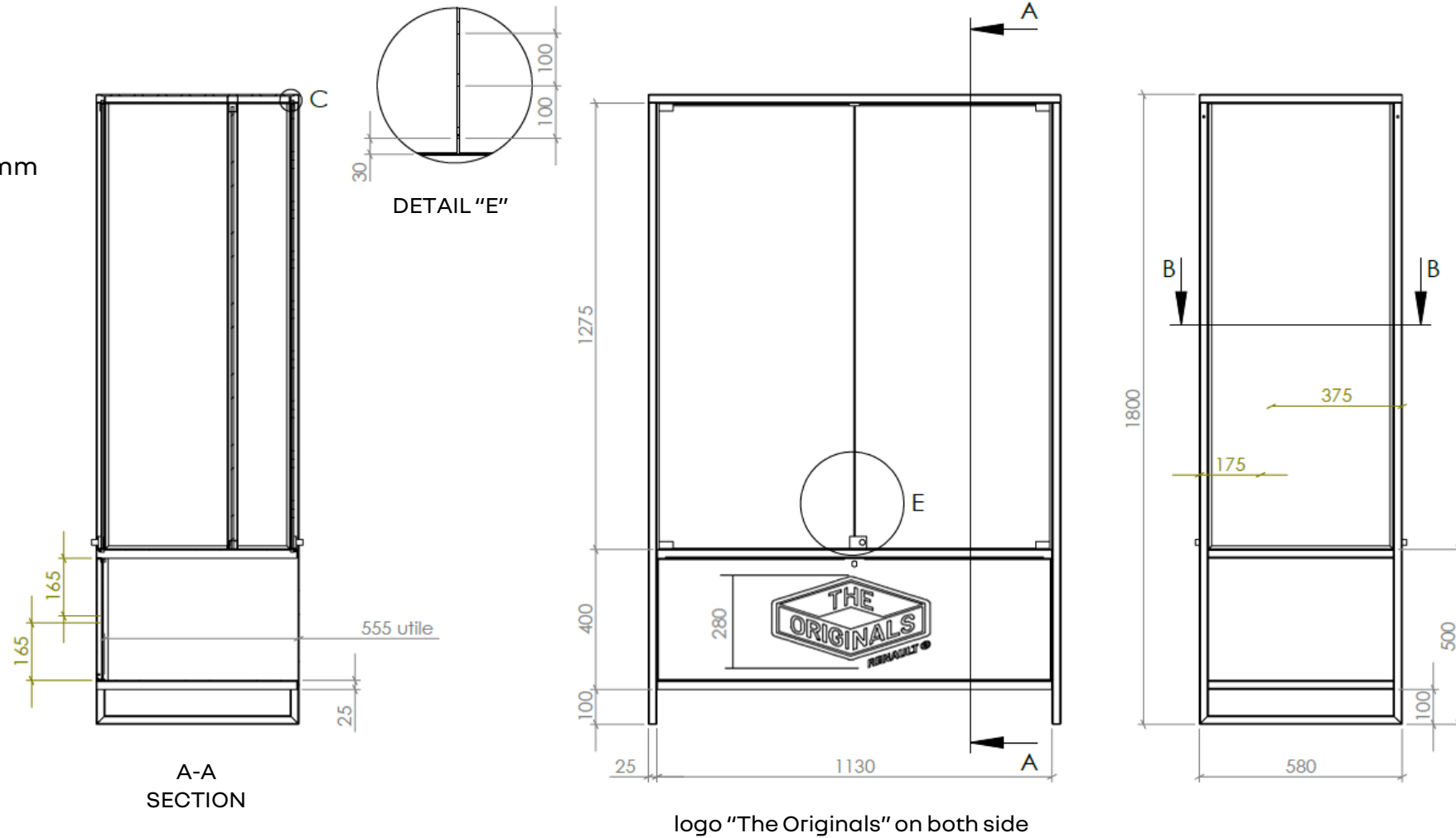


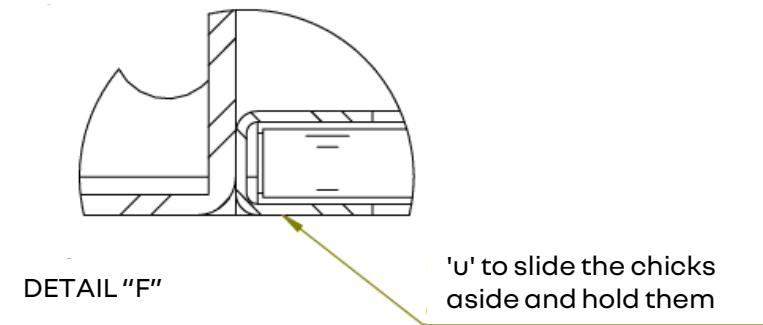
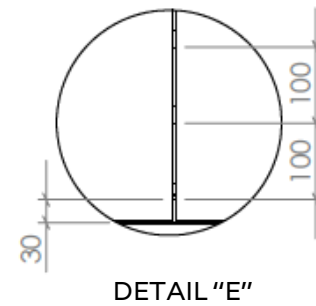
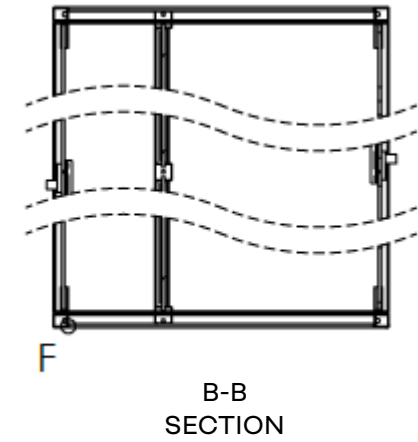
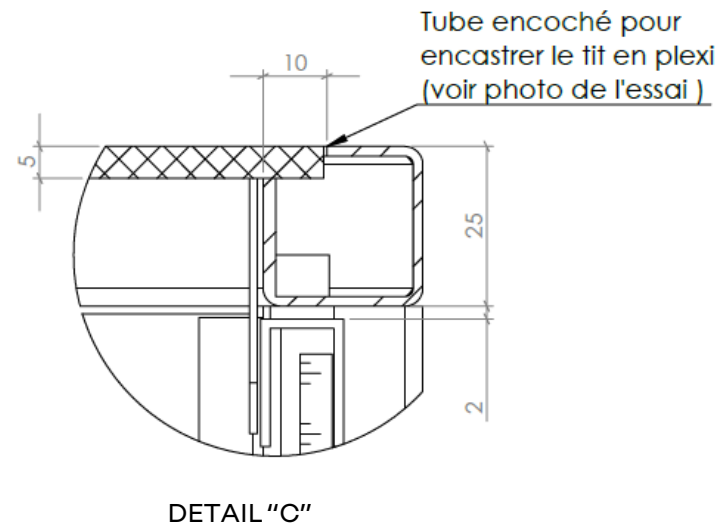
Renault retail technical specifications merchandising furniture - structure

description

structure is in tubular metal 25 x 25 mm
color: white RAL 9016FT

post-lacquered steel
profile or sheet with 40%
gloss satin finish





Renault retail technical specifications merchandising furniture - details

description

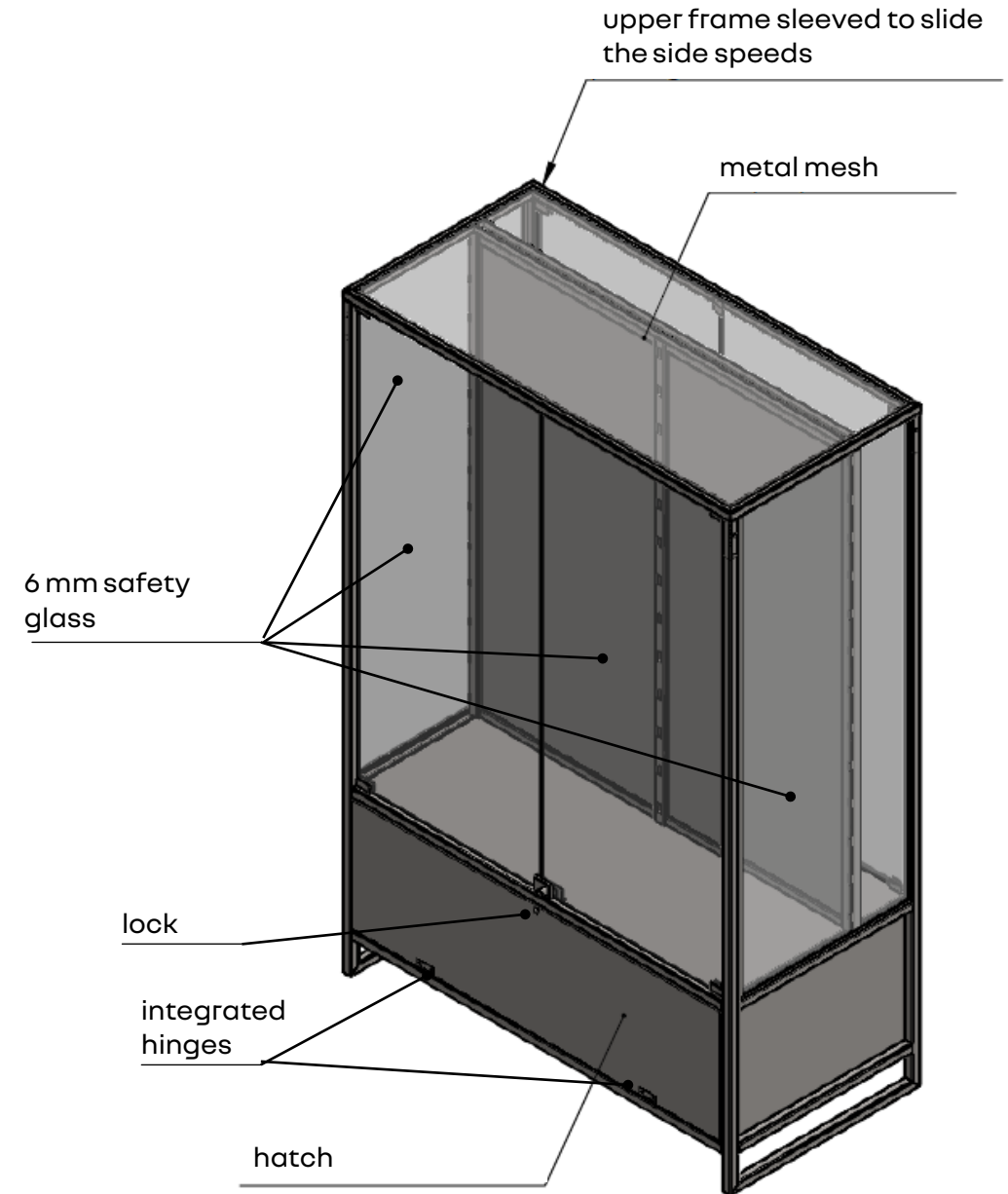
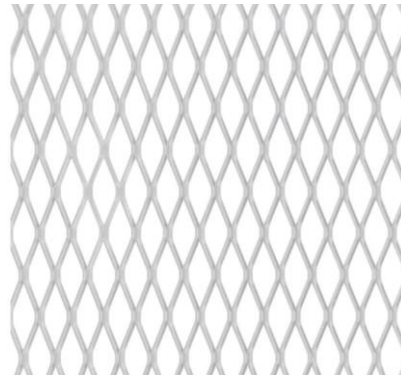
bottom of the furniture is in expanded metal

expanded metal is in the vertical position (like a Renault logo)

metal mesh in steel, th. 2 mm,

35 x 15mm mesh, visible thickness 5mm, front transparency 68%

color: white RAL 9016FT

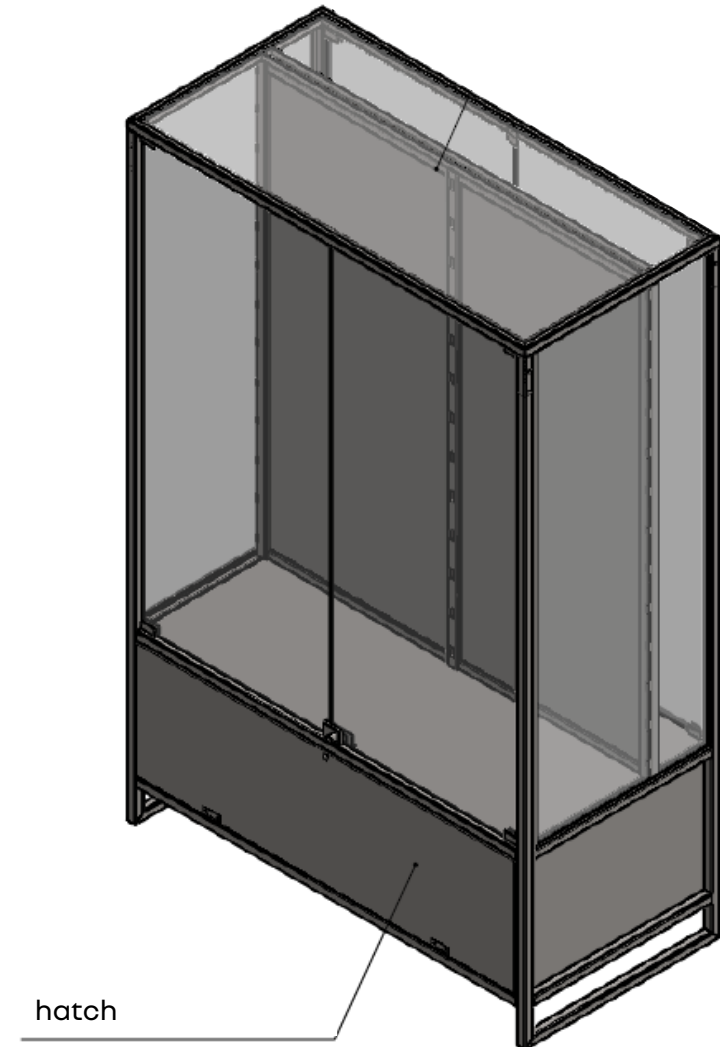


description

the hatch must be held when opening.

the restraint system must be fixed on both sides (left and right)

door opening limiter must allow opening to 90°, it can be compass, metallic arc, flex metallic cable...



description

Here is our recommended supplier for existing products:

- CBM productions / bachy.laurent@cbm-productions.com and francois.monteil@cbm-productions.com
- ADC



to have the Solidworks component please contact :

Laurent Bachy: bachy.laurent@cbm-productions.com

Francois Monteil: francois.monteil@cbm-productions.com