

THE PRICE DISPLAY MODULE

TECHNICAL SPECIFICATIONS

RENAULT STORE

BRAND STORES

DECEMBER 2013 - v2a

0.0

THE PRICE DISPLAY MODULE

CONTENTS

	NAME	HEADING
1.1	THE PRICE DISPLAY MODULE	GENERAL VIEW 1
1.2	THE PRICE DISPLAY MODULE	COLOURS & MATERIALS
1.3	THE PRICE DISPLAY MODULE	PRESENTATION
1.4	THE PRICE DISPLAY MODULE	ATTACHMENT PLATE
1.5	THE PRICE DISPLAY MODULE	INTEGRATION OF VISUALS
1.6	THE PRICE DISPLAY MODULE	VARIANTS
1.7	THE PRICE DISPLAY MODULE	EXPLODED VIEW

0.1

THE PRICE DISPLAY MODULE

TRACEABILITY

ISSUE	HEADING	DESCRIPTION
v.2	PRODUCTION DRAWINGS	RENAULT STORE TECHNICAL SPECIFICATIONS - SEPTEMBER 2013
V.2a	PRODUCTION DRAWINGS	REMOVAL OF THE SINGLE SIDED VERSION - DECEMBER 2013

1.1

THE PRICE DISPLAY MODULE

GENERAL VIEW

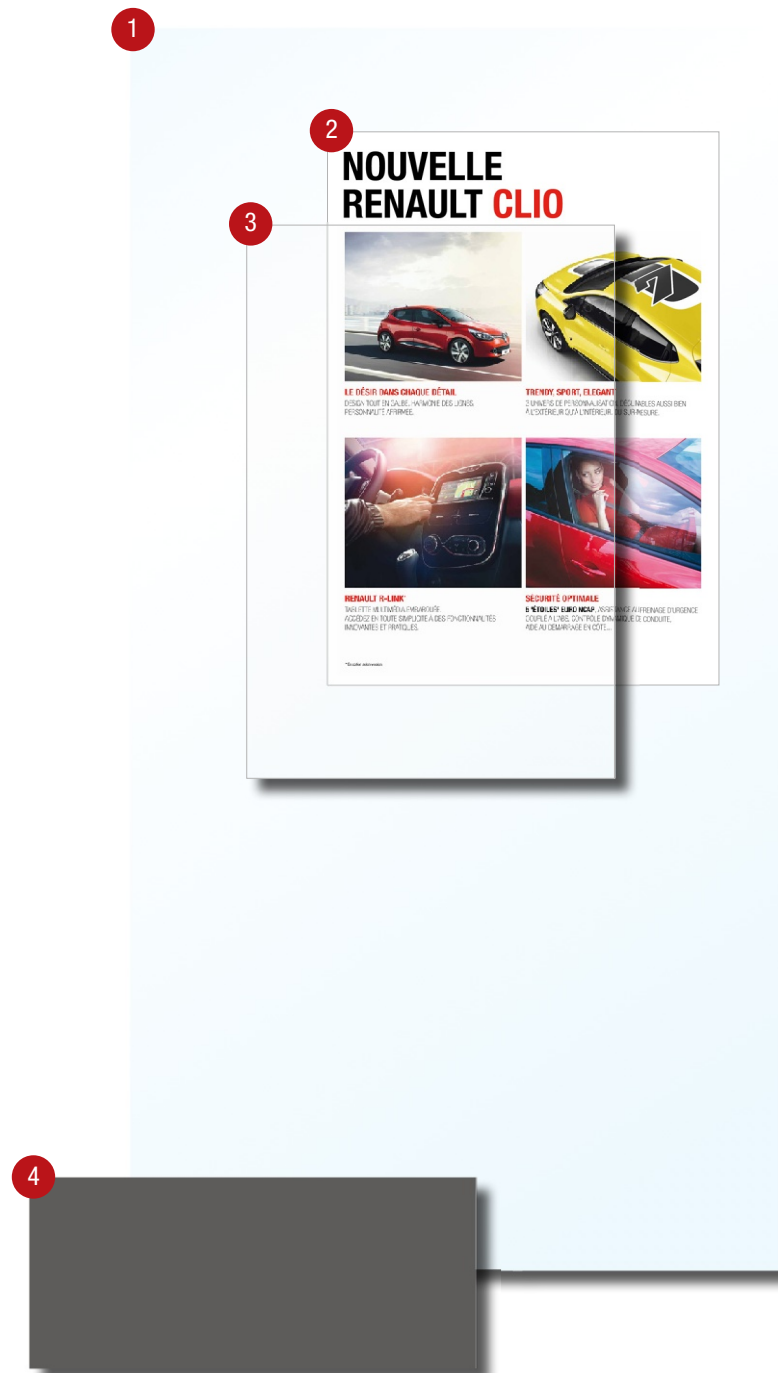


1.2

THE PRICE DISPLAY MODULE COLOURS & MATERIALS

KEY

1. BODY OF THE DISPLAY MODULE
Extruded crystal PMMA, 12 mm thick
2. VISUALS
Four-colour printed white A4 paper
3. DOCUMENT HOLDER
Anti-glare crystal PETG, 3 mm thick
4. ATTACHMENT PLATE AND BASE
Dark grey equiv. to RAL 7024
Lacquered sheet steel
Matt frosted finish



1.3

THE PRICE DISPLAY MODULE PRESENTATION

DESCRIPTION

The price display module is comprised of a crystal PMMA upright fastened to a steel attachment plate.

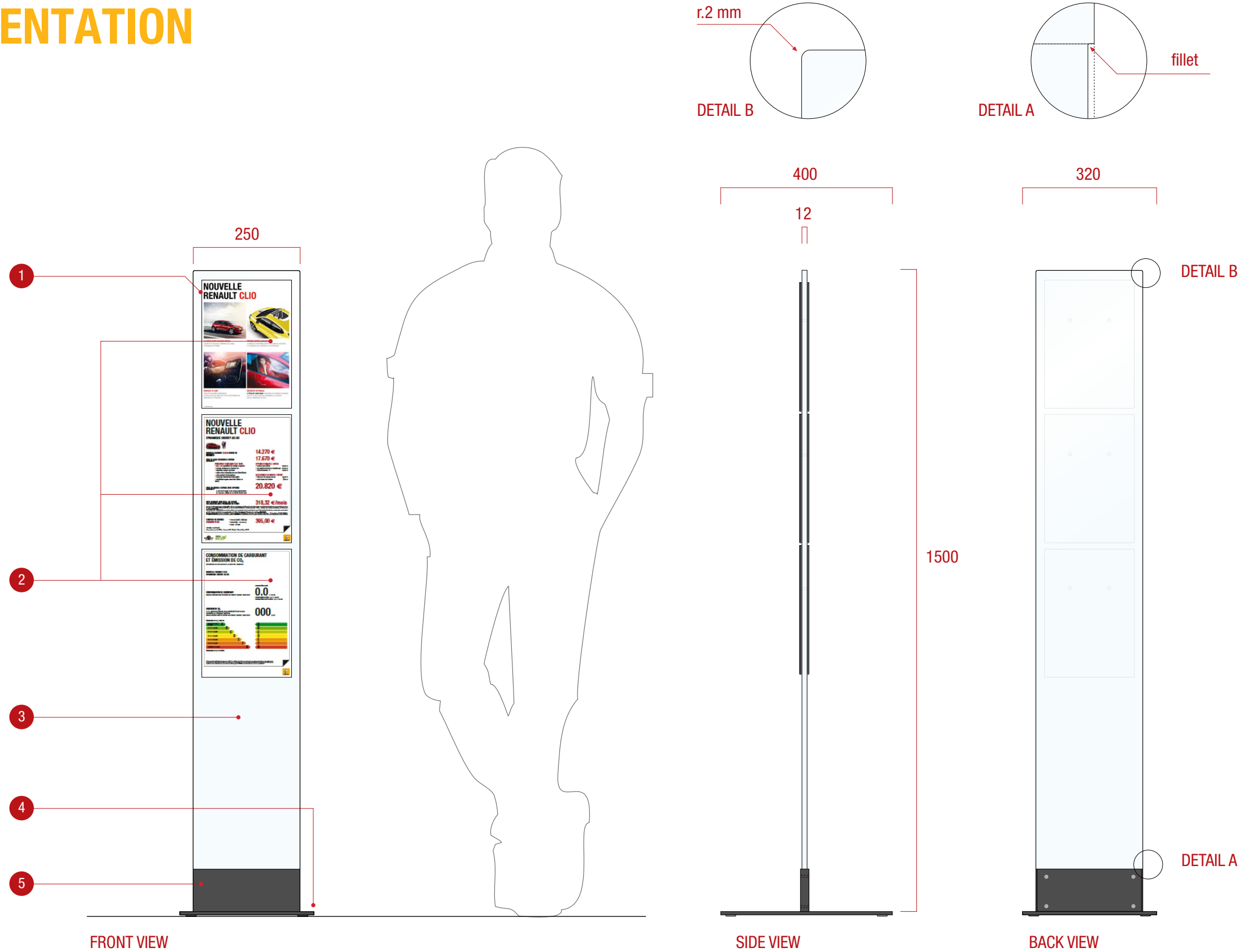
The upper section comprises three A4 format visuals protected by a transparent panel. These visuals are printed by the dealer, who regularly updates them as and when vehicle specifications change.

The price display module is only available in double sided version.

The price display module is only available in double sided version.

KEY

1. Anti-glare crystal PETG document holder, 3 mm thick horizontal fold in the lower section Fastened at the back at two points
2. A4 visuals
3. Extruded crystal PMMA front panel, 12 mm thick
4. Steel attachment plate, 6 mm thick, RAL 7024 satin grey lacquer Rubber pads (4)
5. Fastening to clamp the upright to the attachment plate RAL 7024 frosted grey lacquered steel sheet Six attachment points using countersunk and lacquered bolts



1.4

THE PRICE DISPLAY MODULE ATTACHMENT PLATE

PRINCIPLE

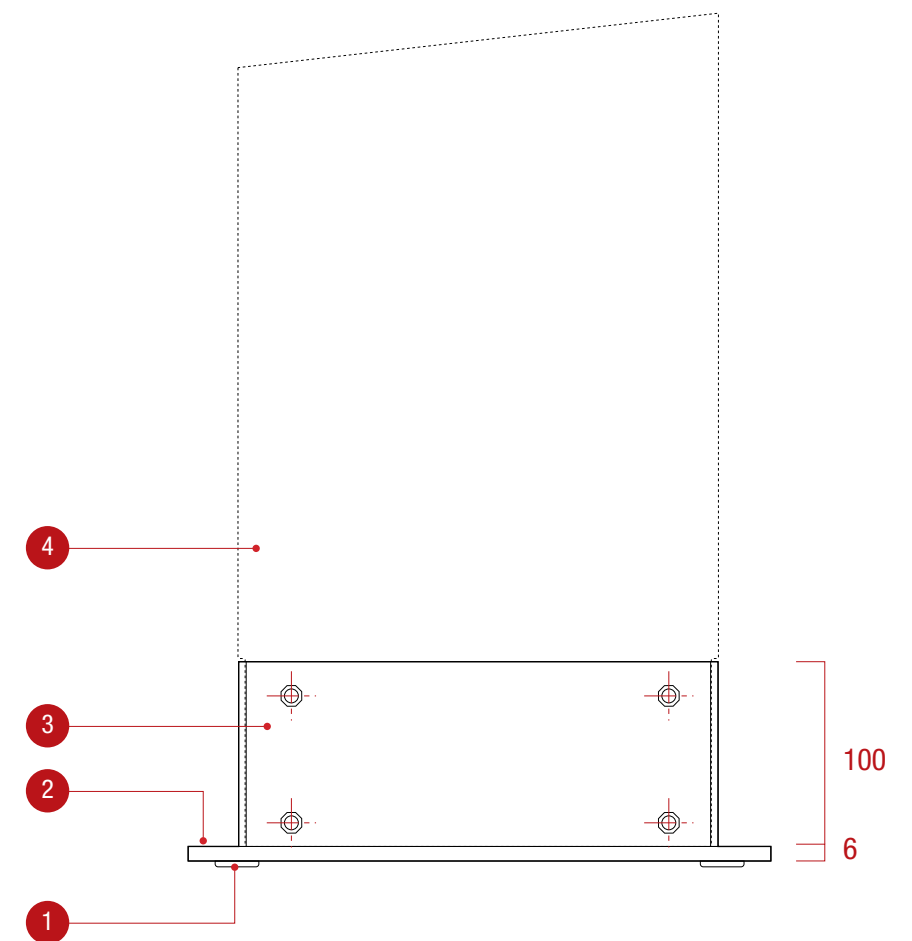
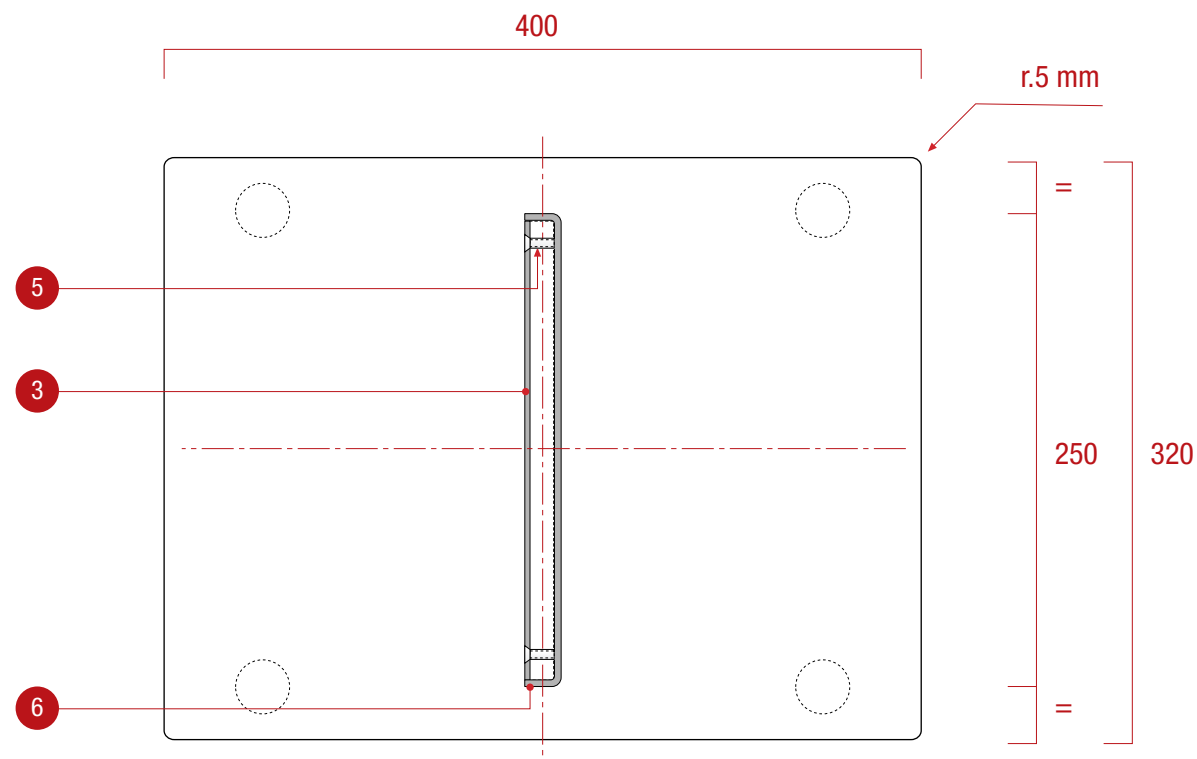
The attachment plate acts as ballast to stabilize the module.

The module is not fastened to the floor but rests on four rubber pads stuck to the underside of the plate.

The supplier shall ensure the attachment plate is the right size, and that the module is stable, with safety rules applying, while optimizing the thickness of materials used to reduce costs.

KEY

1. Rubber pads
2. Steel attachment plate, 6 mm thick
RAL 7024 satin grey lacquered finish
3. Steel plate comprising drilled fastening holes
RAL 7024 satin grey lacquered finish
4. PMMA body of the display module
5. Countersunk bolts to fasten the body
Allen key cavity
RAL 7024 satin grey lacquered finish
6. Section welded to the attachment plate comprising six welded studs to fasten the body of the display module
RAL 7024 grey lacquered finish



1.5

THE PRICE DISPLAY MODULE

INTEGRATION OF VISUALS

PRINCIPLE

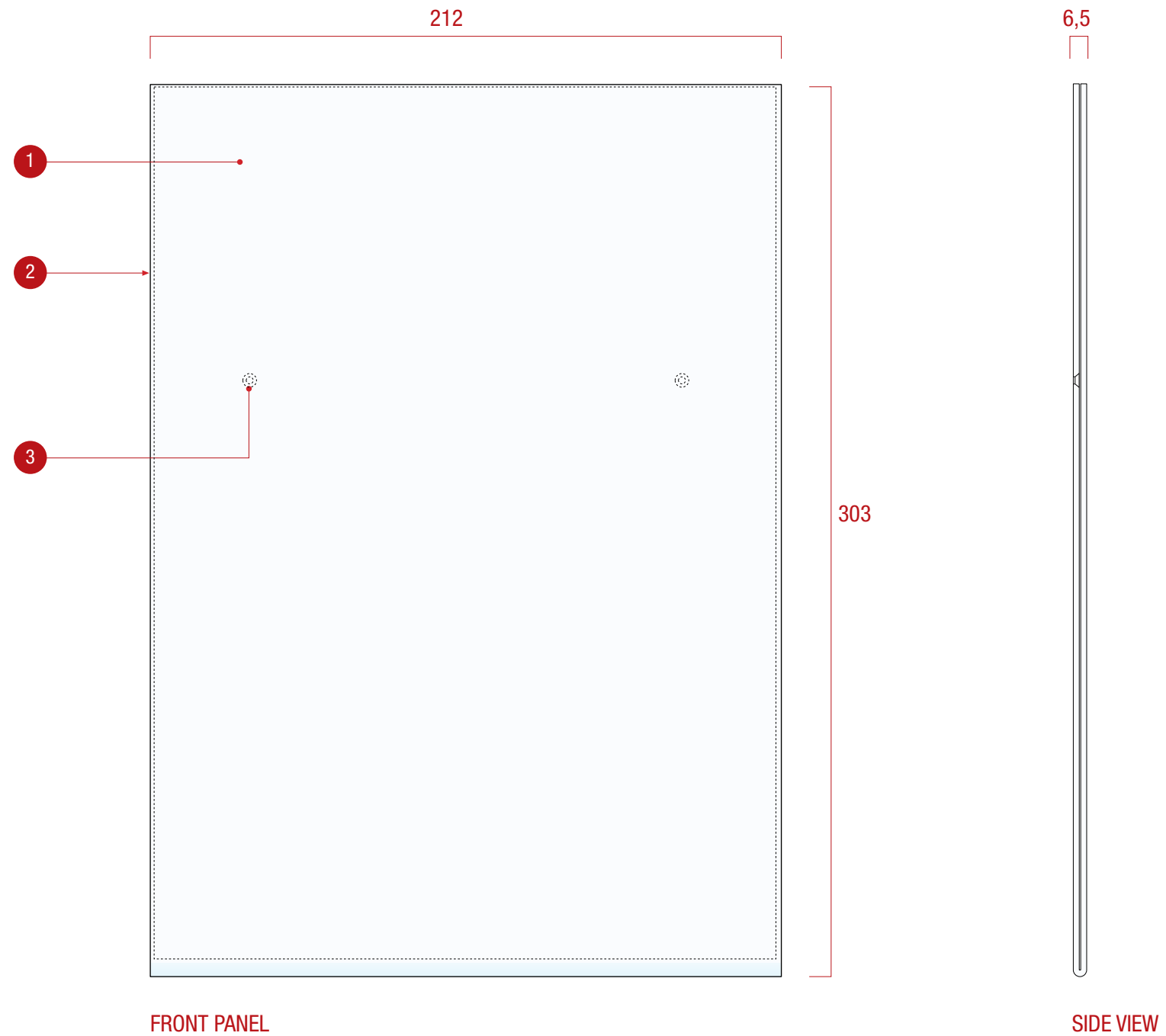
The visuals (90 g white paper) are placed in “document holders” held in place by magnetic strips.

These document holders, made of 3 mm crystal PETG, have a 180° horizontal fold at the bottom, enabling access from the top to change the visuals.

The document holder is attached at two points at the back by countersunk bolts in the body of the display module.

KEY

1. Front of the document holder
PETG, 3 mm thick
Include a tab for handling
2. Dummy outline of the A4 sheet
3. Drilled hole for the fastening of the document holder to the display module



1.6

THE PRICE DISPLAY MODULE VARIANTS

PRINCIPLE

There are two possible versions of this component:

- one version comprising three visuals for use in showrooms,
- one version comprising two visuals for use in Delivery Areas.



PANEL WITH 3 VISUALS



PANEL WITH 2 VISUALS

1.7

THE PRICE DISPLAY MODULE

EXPLODED VIEW - DOUBLE-SIDED UNIT

KEY

1. Body of the display module
2. Steel plate
3. Steel U-shaped support welded to the attachment plate
4. Steel attachment plate
5. Rubber pads
6. A4 sheets
7. PETG document holder

